



1659 CODY AVENUE SUITE A
RIDGEWOOD, NY 11385

TEL: (917) 909-0366
(917) 909-0889
FAX: (917) 909-1036

ENTRANCE SURVEY

SINGLE SPEED OPENING

]
 SQUARE

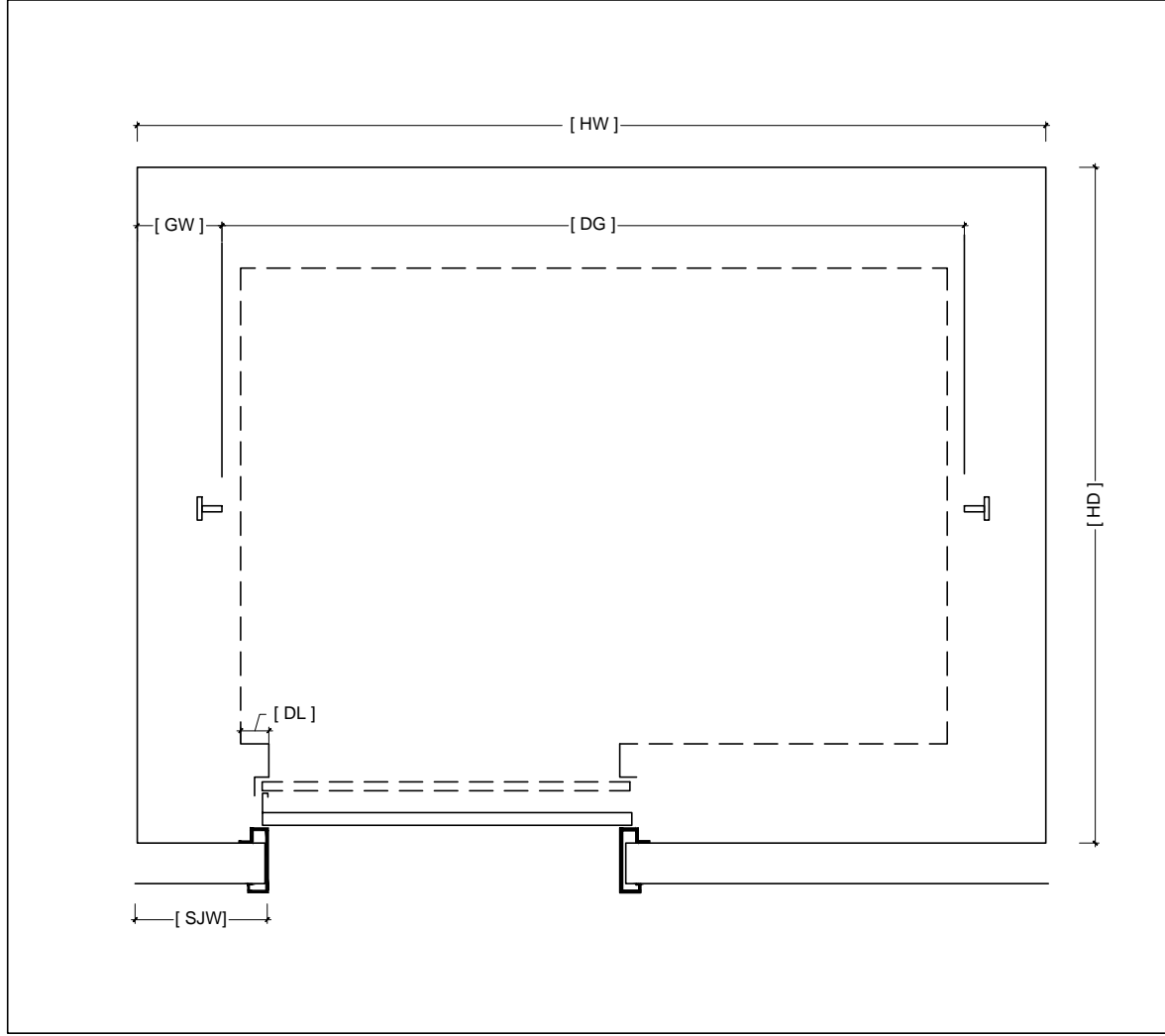
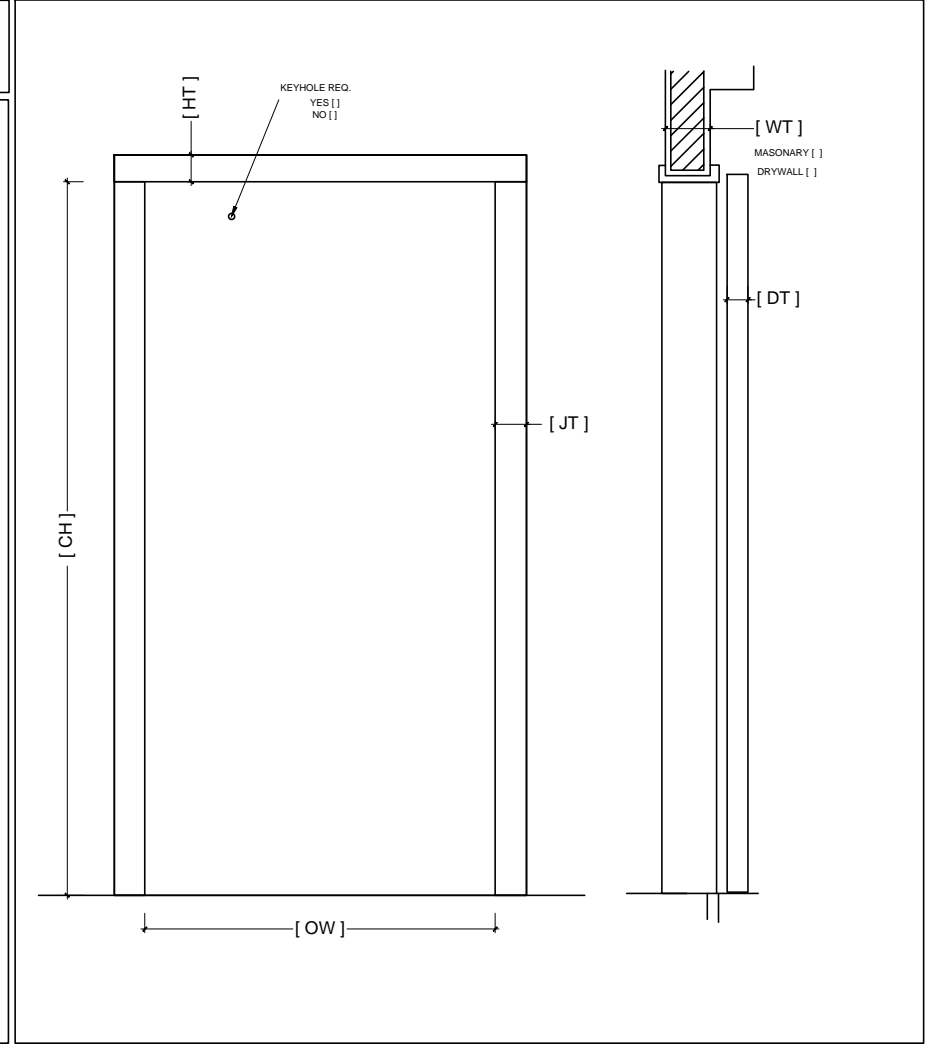
AS SHOWN
 LH

OPPOSITE
 RH

HEAD PROFILE

BOLTED (K.D.) FLUSH OR PROJECTED

 FLUSH WELDED



TRAVEL DISTANCES

(IF MORE THAN 12 PROVIDE TABLE)

TOTAL TRAVEL	FLOOR TO FLOOR HEIGHT
FLOOR DESIGNATION	
TOP	
PIT	

GENERAL SPECIFICATIONS AND DATA

JOB NAME:		OPENING HEIGHT [OH] = _____	HOISTWAY DEPTH [HD] = _____	QUANTITY	DOOR HAND LEFT H RIGHT H	ENTRANCE/ DOOR FINISH
SHAFT NAME:		OPENING WIDTH [OW] = _____	HOISTWAY WIDTH [HW] = _____			<input type="checkbox"/> BAKED ENAVEL BACKED PRIVE <input type="checkbox"/>
DOOR OPERATOR:	GAL <input type="checkbox"/> MAC <input type="checkbox"/> OTIS <input type="checkbox"/>	JAMB TRIM [JT] = _____	DISTANCE BETWEEN GUIDES [DG] = _____	HALL FIXTURES	YES <input type="checkbox"/> DIM	<input type="checkbox"/> S/ST #4 S/ST MIRROR <input type="checkbox"/>
	OTHER <input type="checkbox"/> _____	HEAD TRIM [HT] = _____	GUIDE TO WALL [GW] = _____			<input type="checkbox"/> BRONZE OTHER <input type="checkbox"/>
SILL:	ALUM. <input type="checkbox"/> BRZ <input type="checkbox"/> S/ST <input type="checkbox"/> WHT.BRZ <input type="checkbox"/> <small>(NICKEL SILVER)</small>	WALL THICKNESS [WT] = _____	STRIKE JAMB WALL [SJW] = _____			
		DOOR THICKNESS [DT] = _____	DAYLIGHT [DL] = _____			
						JAMB PROFILE

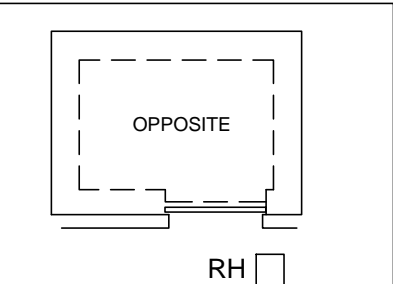
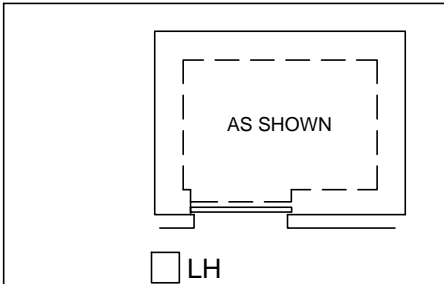
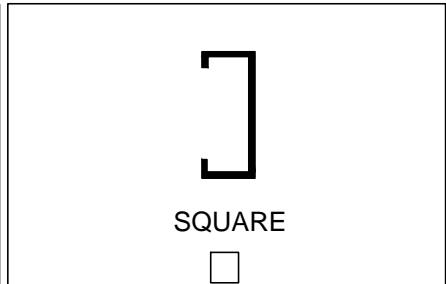


1659 CODY AVENUE SUITE A
RIDGEWOOD, NY 11385

TEL: (917) 909-0366
(917) 909-0889
FAX: (917) 909-1036

ENTRANCE SURVEY

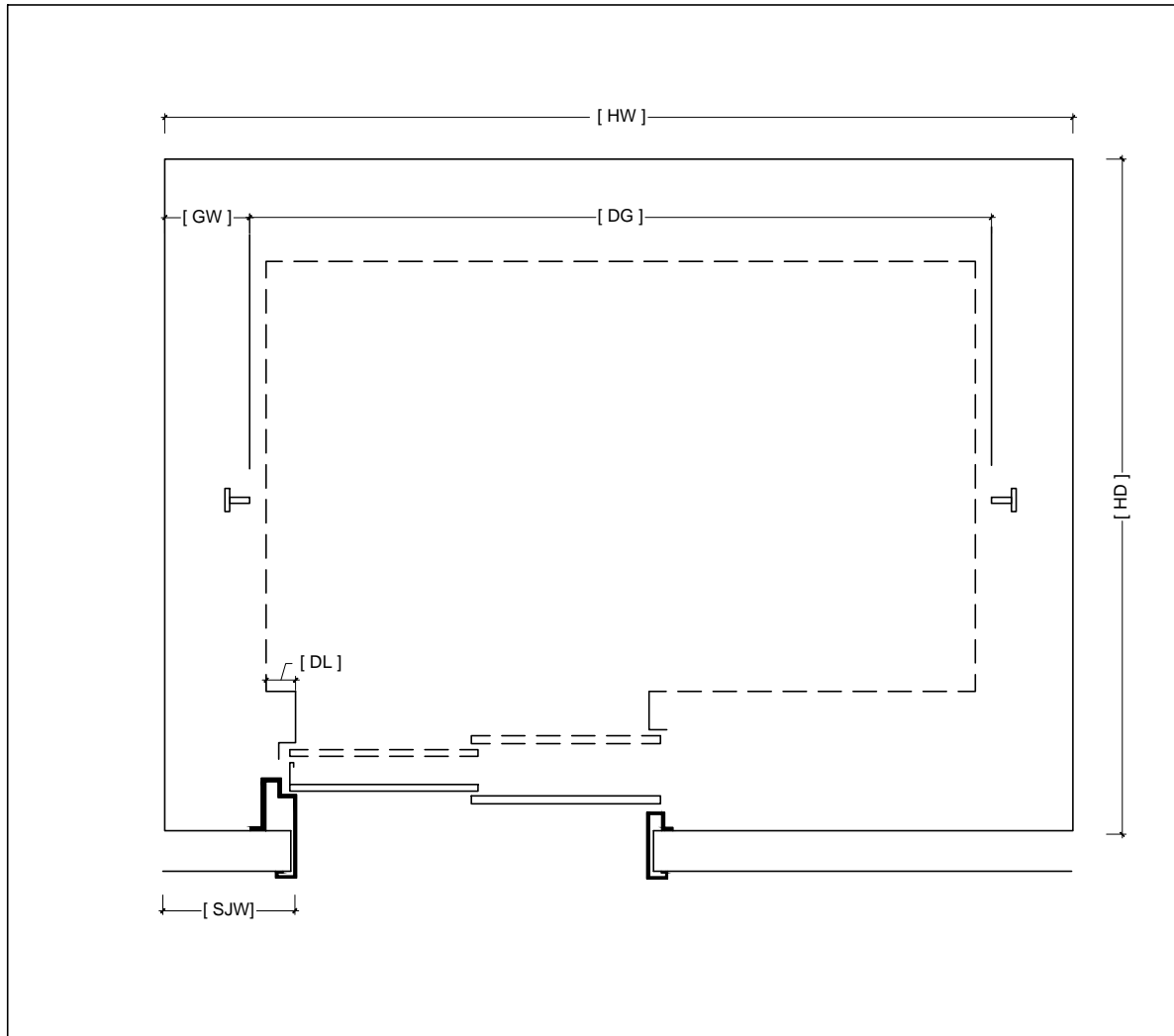
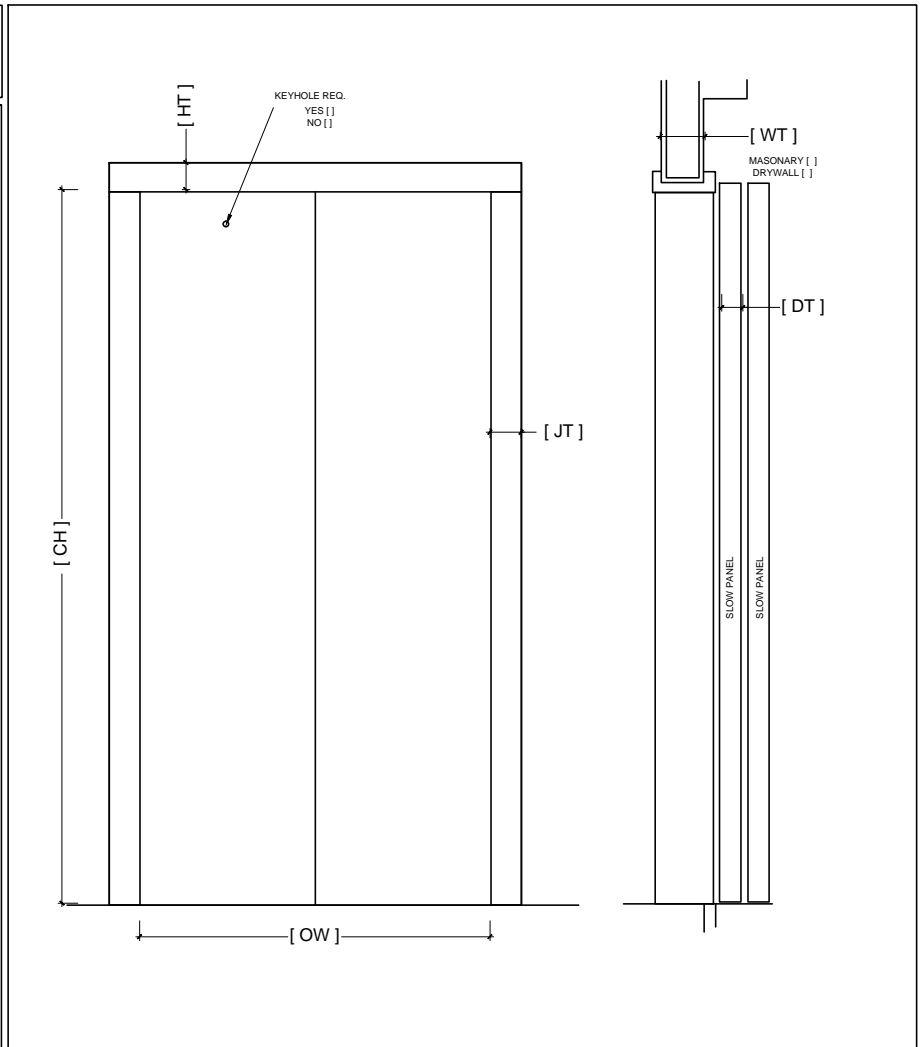
TWO SPEED OPENING



HEAD PROFILE

BOLTED (K.D.)
FLUSH OR PROJECTED

FLUSH WELDED



TRAVEL DISTANCES <small>(IF MORE THAN 12 PROVIDE TABLE)</small>	
TOTAL TRAVEL	
FLOOR DESIGNATION	FLOOR TO FLOOR HEIGHT
TOP	
PIT	

GENERAL SPECIFICATIONS AND DATA

JOB NAME:		OPENING HEIGHT [OH] = _____	HOISTWAY DEPTH [HD] = _____		QUANTITY	DOOR HAND LEFT H RIGHT H	ENTRANCE/ DOOR FINISH <input type="checkbox"/> BAKED ENAVEL BACKED PRIVE <input type="checkbox"/> <input type="checkbox"/> S/ST #4 S/ ST MIRROR <input type="checkbox"/> <input type="checkbox"/> BRONZE OTHER <input type="checkbox"/>
SHAFT NAME:		OPENING WIDTH [OW] = _____	HOISTWAY WIDTH [HW] = _____				
DOOR OPERATOR:	GAL <input type="checkbox"/> MAC <input type="checkbox"/> OTIS <input type="checkbox"/> OTHER <input type="checkbox"/> _____	JAMB TRIM [JT] = _____	DISTANCE BETWEEN GUIDES [DG] = _____		HALL FIXTURES	YES <input type="checkbox"/> DIM	
SILL:	ALUM. <input type="checkbox"/> BRZ <input type="checkbox"/> S/ST <input type="checkbox"/> WHT.BRZ (NICKEL, SILVER) <input type="checkbox"/>	HEAD TRIM [HT] = _____	GUIDE TO WALL [GW] = _____				
		WALL THICKNESS [WT] = _____	STRIKE JAMB WALL [SJW] = _____	JAMB PROFILE			
		DOOR THICKNESS [DT] = _____	DAYLIGHT [DL] = _____				



1659 CODY AVENUE SUITE A
RIDGWOOD, NY 11385

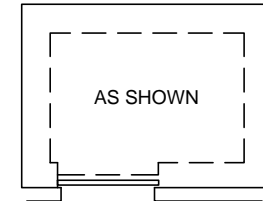
TEL: (917) 909-0366
(917) 909-0889
FAX: (917) 909-1036

ENTRANCE SURVEY

CENTER OPENING

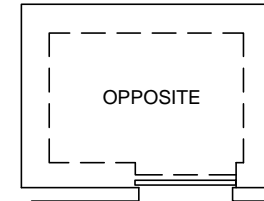


SQUARE



AS SHOWN

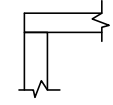
LH



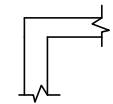
OPPOSITE

RH

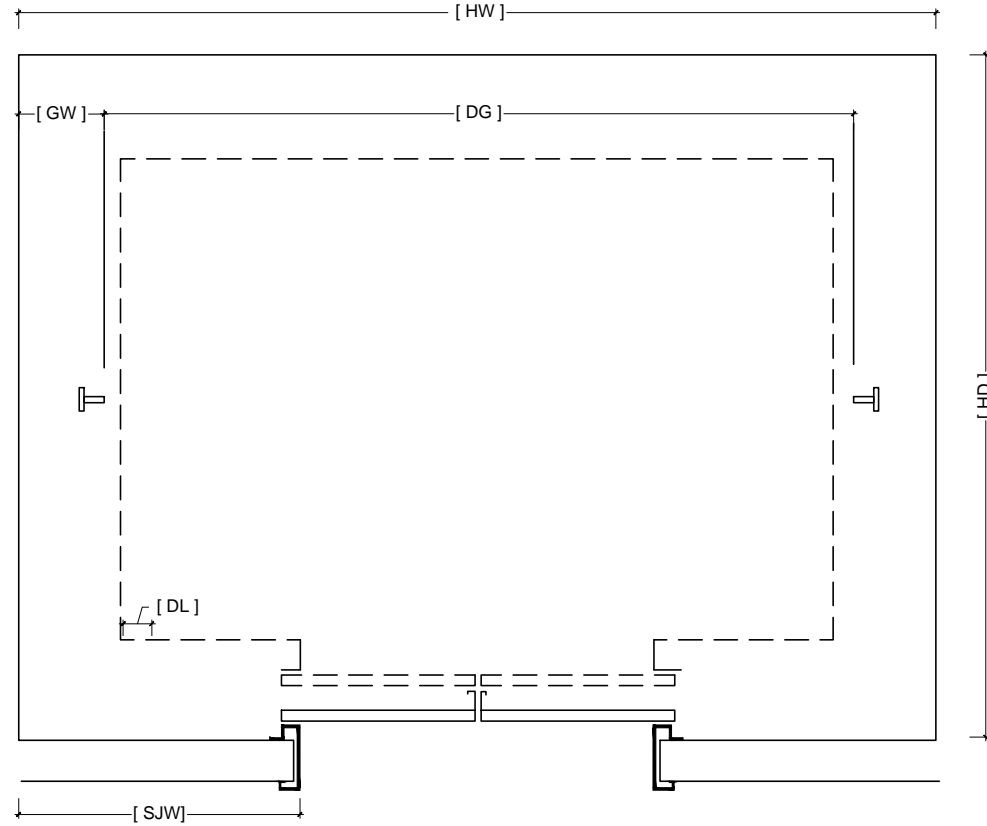
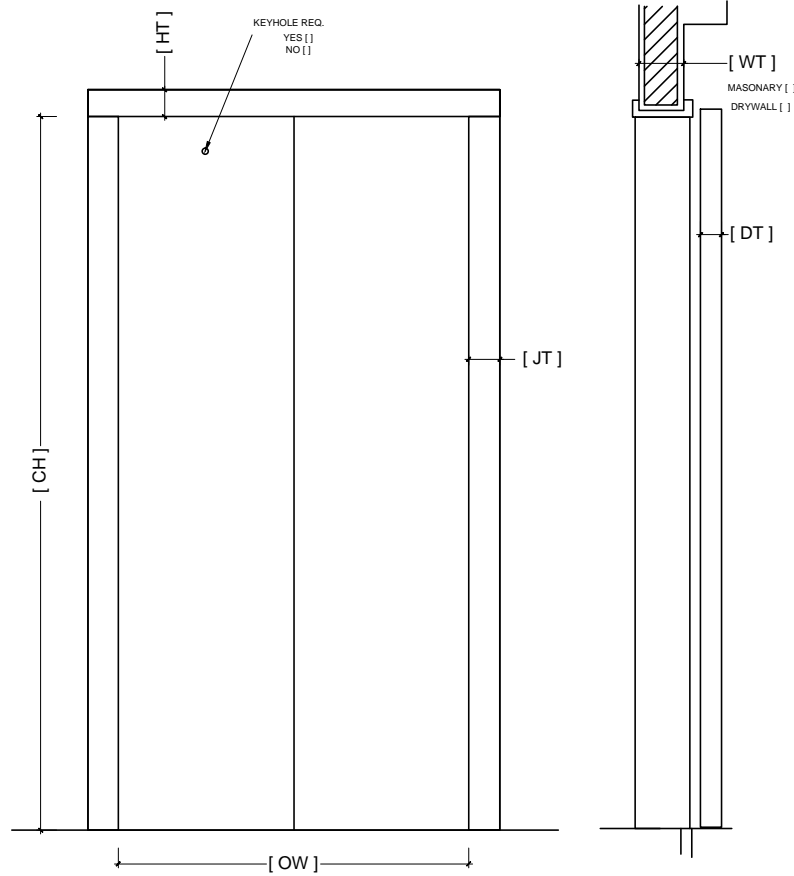
HEAD PROFILE



BOLTED
(K.D.)
FLUSH OR
PROJECTED



FLUSH WELDED



TRAVEL DISTANCES

(IF MORE THAN 12 PROVIDE TABLE)

TOTAL TRAVEL	FLOOR TO FLOOR HEIGHT
FLOOR DESIGNATION	
TOP	
PIT	

GENERAL SPECIFICATIONS AND DATA

JOB NAME:		OPENING HEIGHT [OH] = _____		HOISTWAY DEPTH [HD] = _____		QUANTITY		DOOR HAND LEFT H RIGHT H		ENTRANCE/ DOOR FINISH	
SHAFT NAME:		OPENING WIDTH [OW] = _____		HOISTWAY WIDTH [HW] = _____						<input type="checkbox"/> BAKED ENAVEL <input type="checkbox"/> S/ST #4 <input type="checkbox"/> BRONZE <input type="checkbox"/> BACKED PRIVE <input type="checkbox"/> S/ ST MIRROR <input type="checkbox"/> OTHER	
DOOR OPERATOR:		JAMB TRIM [JT] = _____		DISTANCE BETWEEN GUIDES [DG] = _____		HALL FIXTURES		YES <input type="checkbox"/> DIM			
GAL <input type="checkbox"/> MAC <input type="checkbox"/> OTIS <input type="checkbox"/>		HEAD TRIM [HT] = _____		GUIDE TO WALL [GW] = _____							
OTHER <input type="checkbox"/> _____		WALL THICKNESS [WT] = _____		STRIKE JAMB WALL [SJW] = _____							
SILL:		DOOR THICKNESS [DT] = _____		DAYLIGHT [DL] = _____							
ALUM. <input type="checkbox"/>										JAMB PROFILE	
BRZ <input type="checkbox"/>											
		S/ST <input type="checkbox"/>									
		WHT.BRZ <input type="checkbox"/>									
		(NICKEL, SILVER)									